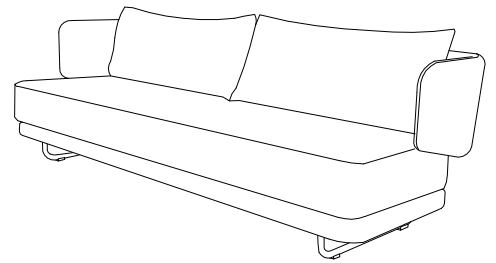


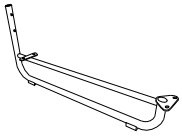
**SOFT  
LINE**

# JASPER

Design: Busk + Hertzog



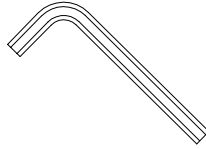
[www.softline.dk](http://www.softline.dk)



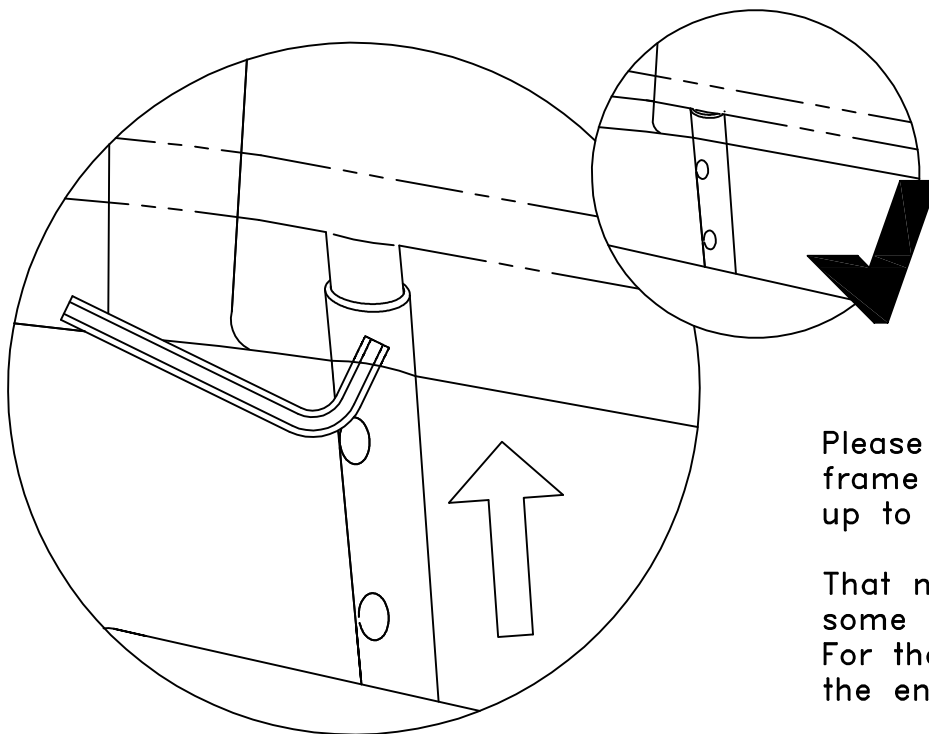
A x 2



B x 12



C x 1



Please ensure that the leg frame is pushed all the way up to the neck frame.

That may involve moving some stuck foam or fabric. For that purpose, please use the enclosed hex key

