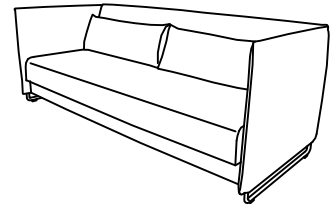


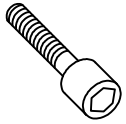
**SOFT
LINE**

METRO

Design: Busk + Hertzog



www.softline.dk



A x 8



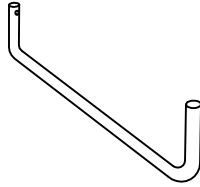
B x 8



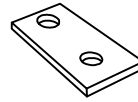
C x 4



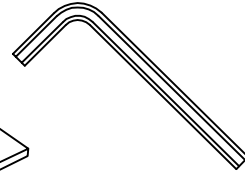
D x 4



E x 2



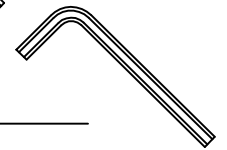
F x 2



G x 1

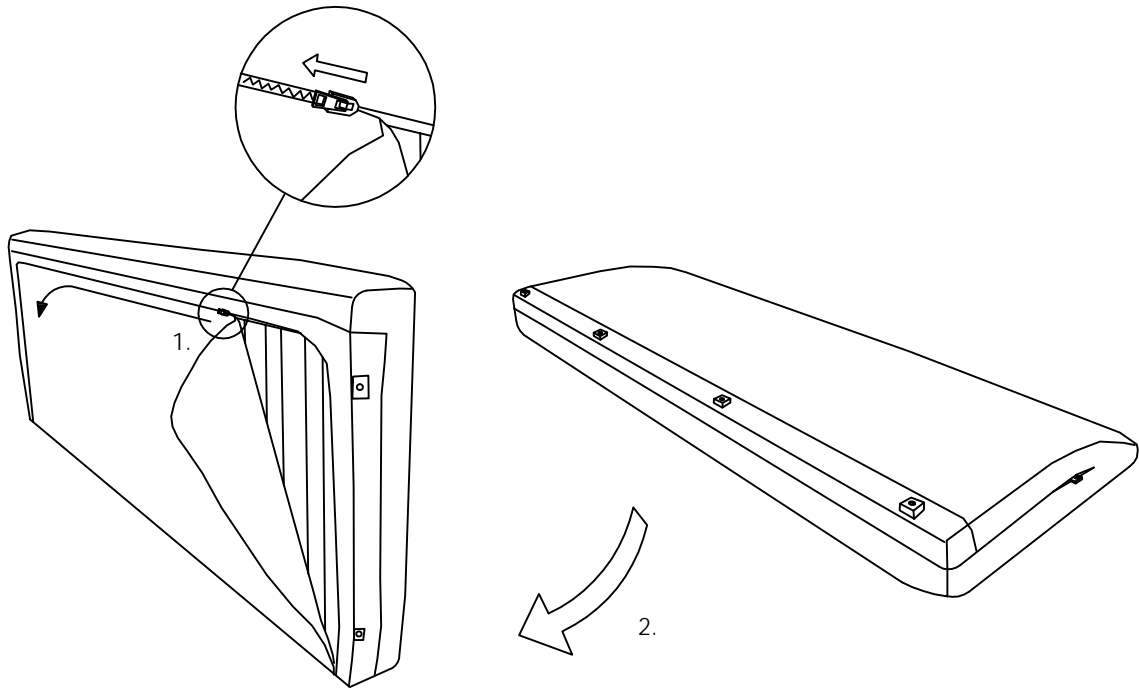


H x 1

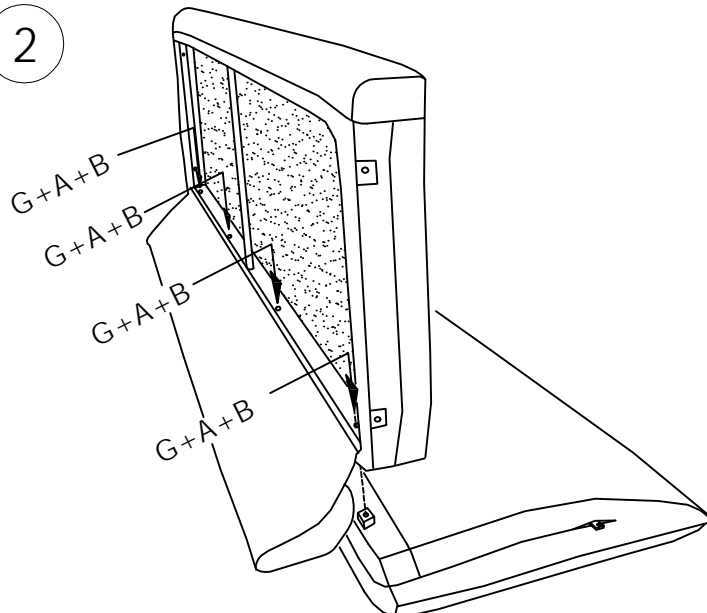


I x 1

1



2



A

